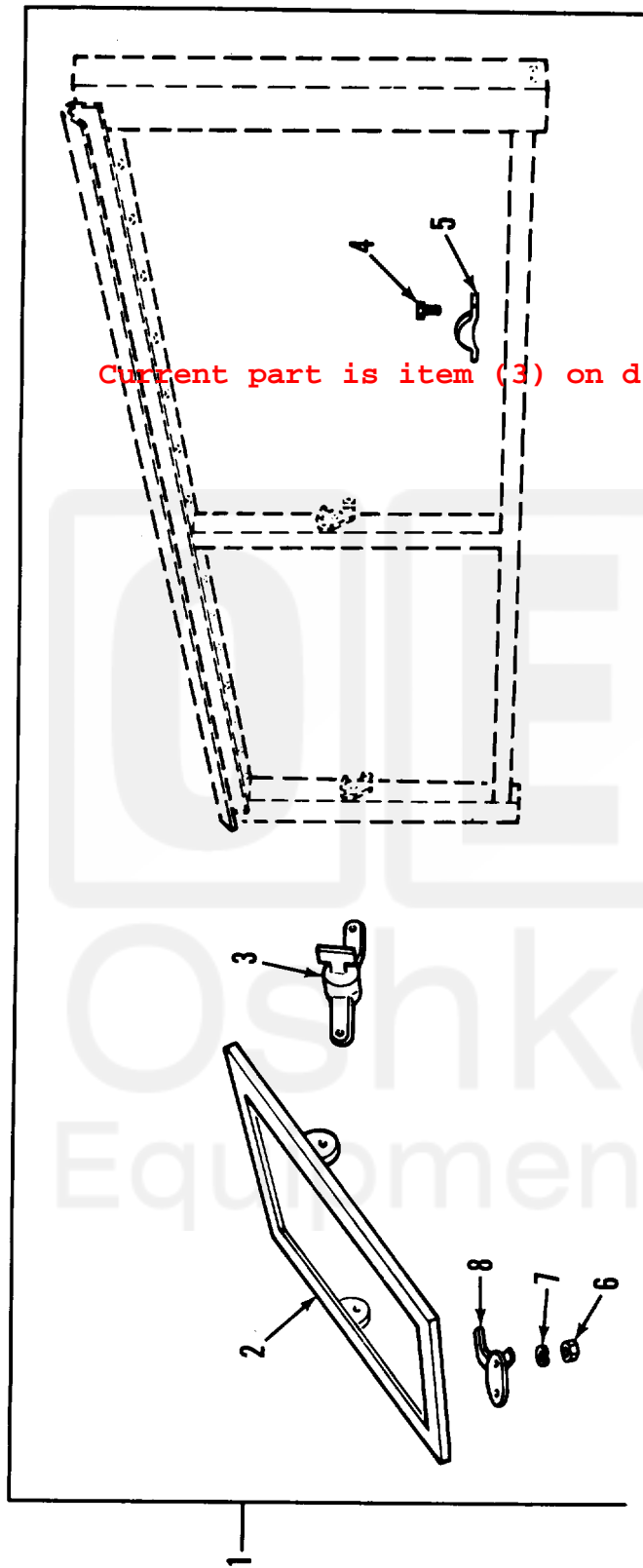


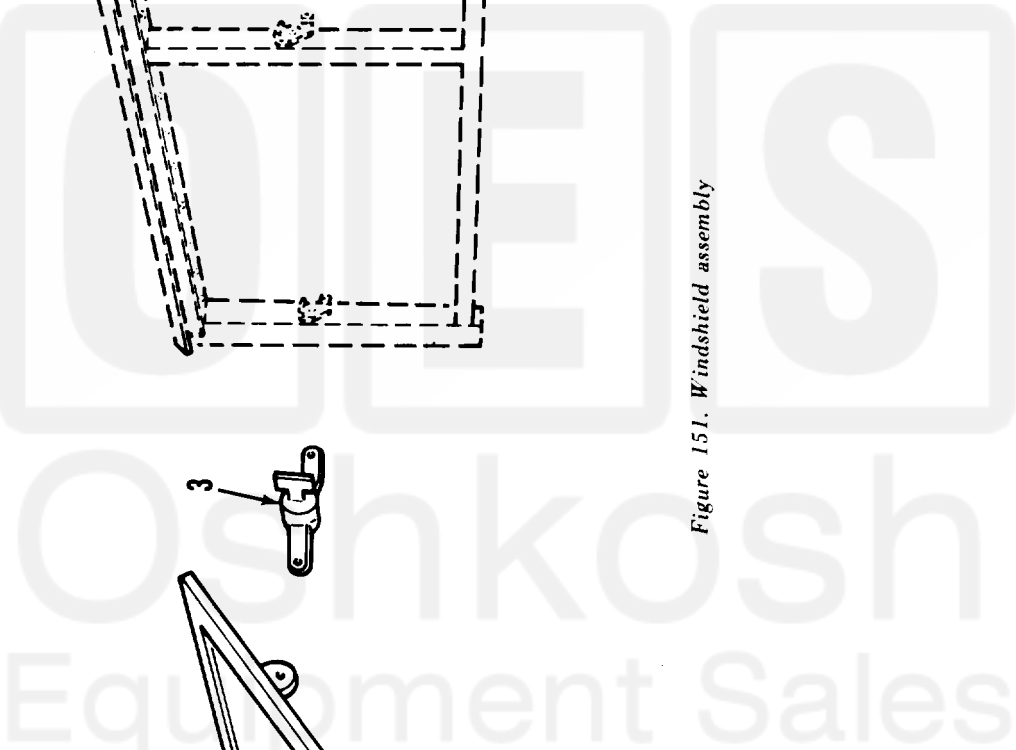
(1) SMR Code	(2) Federal Stock Number	(3) Description	(4) Unit of Meas.	(5) Qty	(6) 15-day Maintenance In	(7) Organizational allowance Illustration	(a) Figure No.	(b) Item No.		
Reference number & mfg. code			Usable on code		(a)	(b)	(c)	(d)		
					1-5	6-20	21-50	51-100		
1802-FENDERS,RUNNING BOARDS, WINDSHIELDS										
PAOZZ	2510-752-9313	WINDSHIELD ASSEMBLY: W/ GLASS A2174 (70230)	A	EA	1	*	*	*	151	1
PAOZZ	2510-700-5417	WINDSHIELD ASSEMBLY: INDIVIDUAL SECTIONS 7005417 (19207)	A	EA	2	*	*	*	151	2
PAOZZ	2510-693-0609	ARM ADJUSTING: WINDSHIELD W/ THUMBSCREW 7373327 (19207)	A	EA	1	*	*	*	151	3
PAOZZ	5305-145-0605	SCREW,CATCH: WINDSHIELD INNER FRAME 594401 (21450)	A	EA	4	*	*	*	151	4
PAOZZ	2510-737-3326	PLATE,CATCH: WINDSHIELD FRAME LOCKING S2149 (70230)	A	EA	2	*	*	*	151	5
PAOZZ		NUT,LATCH: RETAINING WINDSHIELD FROM 187312 (21450)	A	EA	4	*	*	*	151	6
PAOZZ	5310-576-5752	WASHER,LOCK: FLAT INTERNAL TEETH MS35333-39 (96906)	A	EA	4	*	*	*	151	7
PAOZZ	2510-737-3330	LATCH,LOCKING: WINDSHIELD INNER FRAME SA5764 (70230)	A	EA	2	*	*	*	151	8
1805-CAB FLOOR										
XBOZZ		PLUG: TOEBOARD BUTTON 188002 (50513)	A	EA	1				152	1
XBOZZ		PLUG: TOEBOARD BUTTON 432449 (19207)		EA	1				152	2
1806-UPHOLSTERY SEATS AND CARPETS										
PAOZZ	2540-737-3307	SEAT,INDIVIDUAL: COMPANION AND CRANE OPERATOR 7373307 (19207)	A	EA	1	*	*	*	153	1
PAOZZ	2510-040-2074	FRAME: SEAT BACK 7529131 (19207)	A	EA	1	*	*	*	153	2
PAOZZ	5310-809-4085	WASHER,FLAT: MS27183-16 (96906)	A	EA	6	*	*	*	153	3
PAOZZ	2540-622-7743	LEG ASSEMBLY, SEAT, BACK: 7061295 (19207)	A	EA	1	*	*	*	153	4
PAOZZ	5315-842-3651	PIN,COTTER: BACK SEAT LEG MS24665-295 (96906)	A	EA	7	*	*	*	153	5
PAOZZ	5315-696-0262	PIN,STRAIGHT,HEADED: BACK SEAT LEG 7373314 (19207)	A	EA	6	*	*	*	153	6
PAOZZ	5310-809-4061	WASHER,FLAT: MS27183-15(96906)	A	EA	2	*	*	*	153	7



TA 009293

Current part is item (3) on diagram. Available at [www.oshkoshequip.com](http://www.oshkoshequip.com)

Figure 151. Windshield assembly



Current part is item (3) on diagram. Available at [www.oshkoshequip.com](http://www.oshkoshequip.com)